

L01- Metalsistem Super 123 Boltless System. Installation and Safety of Use Leaflet.

Tools Required:

- Rubber mallet or hammer (preferably rubber to avoid damaging the components)
- Level (optional but helpful to ensure stability)
- Work gloves (recommended for safety)

Step 1: Preparation:

- Lay out the pieces on the floor or a flat surface and identify each part according to the provided instructions or labelling.

Step 2: Assemble a Starter Bay Unit:

- Take two vertical frames and place them parallel to each other at the desired distance for your shelving unit.
- Place frames on a stable and level surface. Uneven floors may cause the shelving to wobble or worse collapse to the floor. Shim can be purchased separately if necessary. Use a rubber mallet or hammer to tap the beams securely into place. If any of the specified tools are unavailable, a gentle hand tap will suffice. Make sure the beams are snug and level and that the beam slot is facing upwards. Figure A & B (on the right)

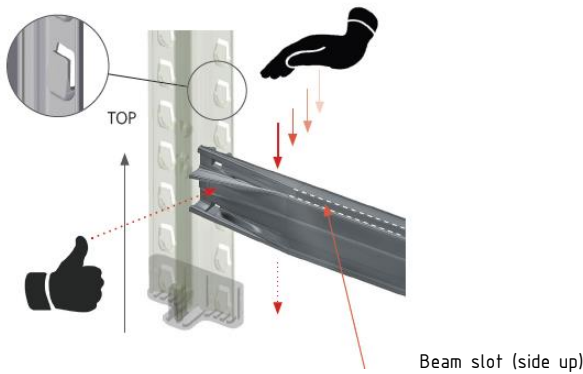


FIG A

Step 3: Add Shelf Panels.

Take the shelf panel and slide them into the corresponding slots on the beams. These panels have a 90-degree bend on each side. These will fit the beams without and sort of pressure or resistance. Figure B.

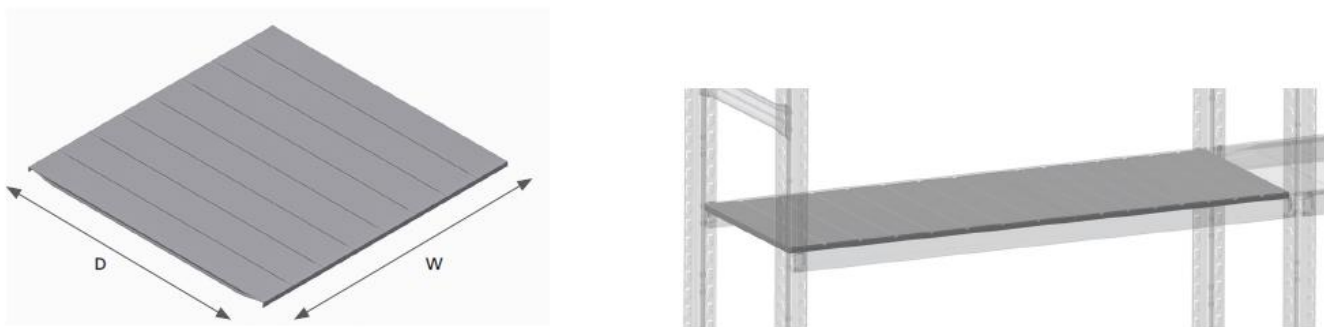


FIG B - The 90-degree bend is located on both sides of the panel labelled as "W". "D" varies according to the purchased shelf depth, which ranges from 320 to 800 mm.

Storage Systems Limited

KW12, Corradino Industrial Estate, Paola PLA3000, Tel: +356 22476700

Registered in Malta No. C-71731 | Registered Office: Mdina Road, Zebbug ZBG 9017, Malta

Tel: +356 22476700 | email: info@storagesystems.com.mt | Website: <http://www.storagesystems.com.mt>

L01- Metalsistem Super 123 Boltless System. Installation and Safety of Use Leaflet.

Step 4: Secure the Shelving

Insert the safety clips provided, as shown in Figure C:

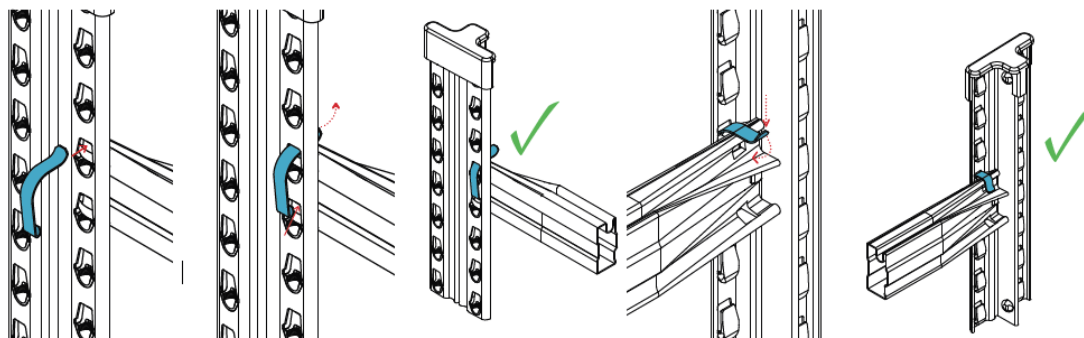


FIG C

Step 5: Adjustments and Final Touches

- After assembling the shelving system, inspect it for any adjustments that might be needed to ensure stability and levelness.
- If required, use a level to check the evenness of the shelves and adjust as necessary.
- Once satisfied with the setup, you can now load the shelves with your items, making sure to distribute the weight evenly. Wall brackets are available and can be purchased separately.

Step 6: Safety Considerations

- Always adhere to the weight capacity guidelines specified by the load sheet provided to prevent overloading the shelves. Distribute the weight evenly across the shelves, placing heavier items on the lower shelves and lighter items on the upper ones. This helps maintain balance and stability. Overloading the shelves can lead to instability and increase the risk of collapse.
- Ensure that all shelves are securely in place and properly locked to the vertical uprights or beams. Regularly check for loose connections or signs of wear and make necessary adjustments or repairs.
- Keep the shelving system out of reach of children and pets to prevent accidents. It's also advisable to avoid placing heavy or hazardous items on lower shelves if there are young children or pets in the area.
- Do not use the shelving system as a ladder or support for climbing. It is not designed to bear the weight of a person and could lead to accidents and injuries.
- Use the shelving system only for its intended purpose, which is to store and organize items. Avoid using it for any other activities or purposes not specified by the manufacturer.
- To prevent the shelving unit from tipping over, it's a good idea to anchor it to the wall using appropriate brackets or wall-mounting hardware. This is especially important for tall or freestanding shelving units (over 1800mm in height)
- When assembling or handling the shelving system, consider using work gloves to protect your hands from sharp edges or rough surfaces.

By following these safety guidelines, you can ensure the safe and efficient use of your Metalsistem Super 123 boltless hand-loaded shelving system and minimize the risk of accidents or injuries.

Storage Systems Limited

KW12, Corradino Industrial Estate, Paola PLA3000, Tel: +356 22476700

Registered in Malta No. C-71731 | Registered Office: Mdina Road, Zebbug ZBG 9017, Malta

Tel: +356 22476700 | email: info@storagesystems.com.mt | Website: <http://www.storagesystems.com.mt>